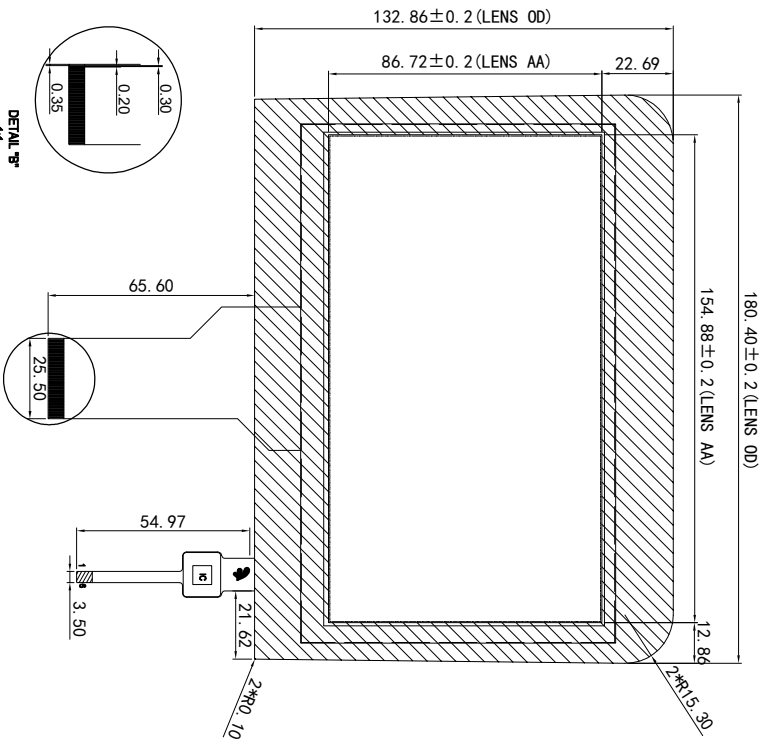


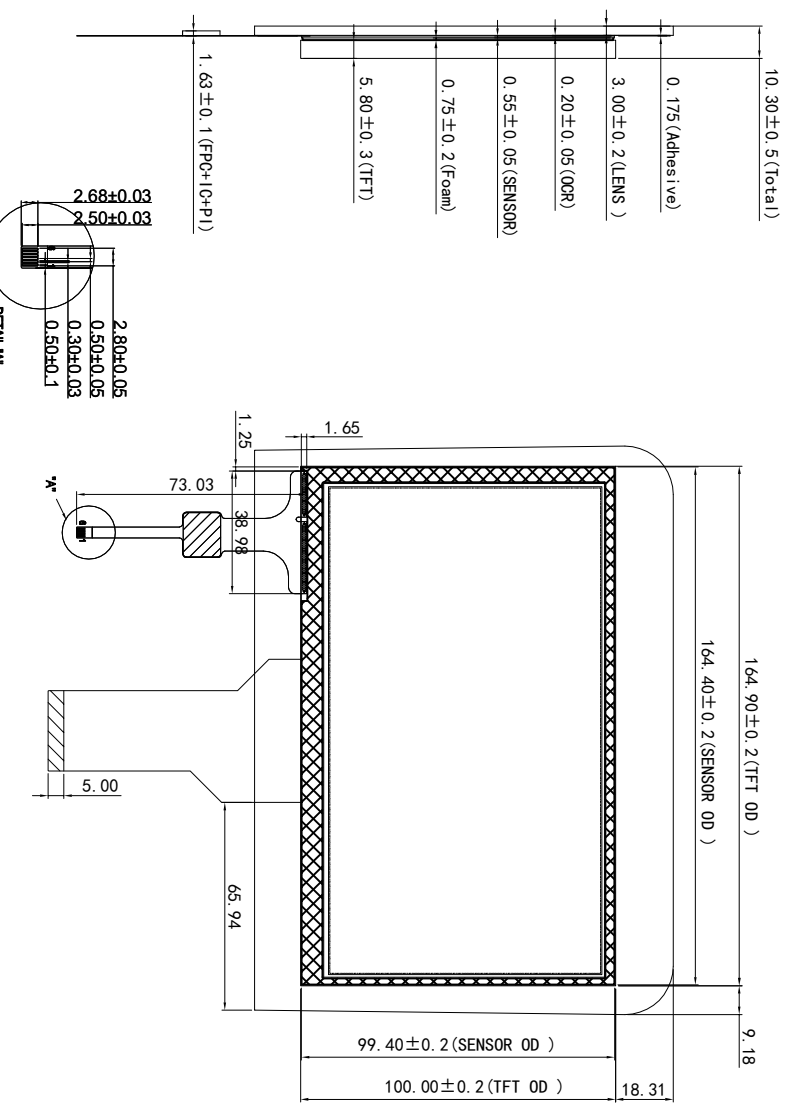
No ROHS hazardous material

Ordinal	Modify content description	Cartographer	Date of change
①			



Front view

Screen printing area: Print Black



Side view

Frame adhesive foam area = 0.75mm

Back view

TP	PIN:
1	VCC(3.3V)
2	RST(3.3V)
3	INT(3.3V)
4	SCL(3.3V)
5	SDA(3.3V)
6	GND

Technical parameters

1. Interfaces:	12C	7. Humidity range:	45~85%RH
2. Structure :	G+G	8. Transmittance:	≥85%
3. IC solutions:	CY7MA568	9. Surface hardness:	≥6H
4. Impact resistance:	30.00mm, Steelball 125g/1000Hit/5cm/time	10. Operate :	-20°C~+70°C, ≤85%RH
5. Touch points:	10 points	11. Storage :	-30°C~+80°C, ≤85%RH
6. Power supply:	3.3V	12. Unmarked dimension tolerance	as±0.0, 2

TFT PIN<HX0701N122-50ND-18D>		LED-A		LED-K		VCM		D/MODE		VS		HS		B6		B5		B4		B3		B2											
1	2	3	4	5	6	7	8	9	10	11	12	13	14	15	16	17	18	19	20	21	22	23	24	25	26	27	28	29	30	31	32	33	34
R0	GND	DCLK	GND	L/R	U/D	VGH	VGL	AVDD	RESST	NC	VCM	DITB	GND	NC	NC	NC	R1	R2	R3	R4	R5	R6	R7	R8	R9	R10	R11	R12	R13	R14	R15	R16	R17



杭州宏梟科技有限公司
Grahwolet Technology CO., Ltd

Model	HX0701708		View direction		Unit	MM	
Version	V1.0	Designer	Jeson	Date	2017-7-28	Edition	A1
Customer		Approved	HBZ	Date	2017-7-28	Proportion	1:1